

NORITSU

HS-1800 Film Scanner



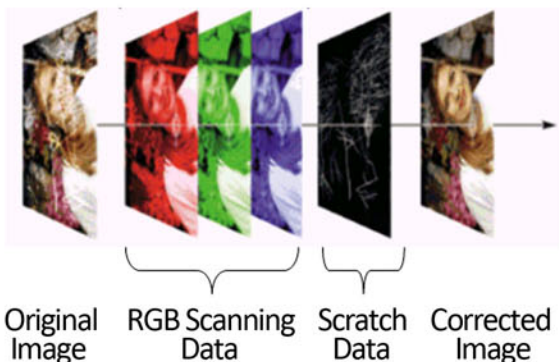
Versatile Film Scanning Solution

The HS-1800 is a high quality, high-capacity film scanner that handles a wide variety of film types. A TWAIN driver is included as a standard feature. This allows the unit to be connected to a PC and used as a stand-alone scanner. The HS-1800 Film Scanner can also be used in a minilab configuration when connected to a PC with EZ Controller Software and a Noritsu digital printer (available separately). The scanner uses a reliable LED light source and a simple USB 2.0 connection. Optional Film Carriers provide expanded versatility.



Easy and Efficient Film Handling

Film handling is simplified with the standard 135/240 Automatic Film Carrier. This Film Carrier supports IX-240 film as well as full format, half frame and panoramic 35mm film. It supports not only color negative film, but also color positive, chromogenic B&W and B&W film.



Digital Ice Technology

Digital Ice Technology corrects dust and scratches on the base layer of film. This is included as a standard feature. Digital Masking, which corrects dust and scratches on the emulsion layer of film, is also included with the HS-1800.

HS-1800 Film Scanner Resolutions

Film Format	Type	Min. Scan Resolution / FPH**	Max. Scan Resolution / FPH**
135F	Strip/Roll	1037×1565 / 2205	4492×6774 / 327
240C	Strip/Roll	1406×2110 / 1475	3043×4567 / 450
135F Mount*	Single Mount	966×1482 / 323	4184×6415 / 124
6x4.5*	Single/Strip/Roll	2412×1766 / 1600	4824×3533 / 513

* w/Optional Negative Carrier - ** Frames per hour

HS-1800 Available Film Carriers for Greater Versatility

Film Carrier	Film type	Formats	Remarks
135/240AFC-II	Negative/ Positive/ B&W/ Chromogenic)	135F, 135H, 135P, 135FP, 135FPS, IX240	135H: Minimum length 4 frames 135F/135P/135FP/135FPS: Minimum length 2 frames
135/240MMC-II (Optional)	Negative/ Positive/ B&W/ Chromogenic	135F, 135H, IX240	135H/135F: Min. length 1 frame IX240: Only positives <u>Mount specifications</u> 50mm x 50mm Thickness: 1.0mm~3.2mm Glass mounts not supported
120AFC-II (Optional)	Negative/ Positive/ B&W/ Chromogenic	6x4.5, 6x6, 6x7, 6x8, 6x9 (Optional 6x12)	Minimum length: 1 frame Minimum advance length: 43mm (6X4.5 1 frame)
110AFC-II (Special Order)	Negative	110	Minimum length : 3 frames
Multi Film Carrier (MFC) (Special Order)	Negative/ Positive/ B&W/ Chromogenic/ Crop card	110, 135F, 135H, 135P, 135FP, IX240, (120/220), Crop Card	Minimum length: 1 frame An optional attachment is required for all formats besides 135F.

Multi Film
Carrier

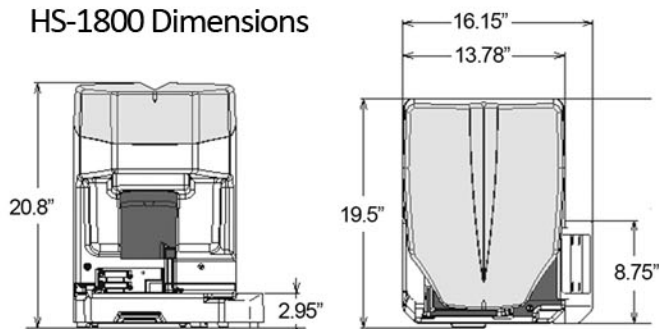


Manual Mount Carrier



120 Auto Film
Carrier

HS-1800 Dimensions



Noritsu America Corporation

6900 Noritsu Avenue, Buena Park CA 90620

714-521-9040 - sales@noritsu.com

www.noritsu.com