

# QSS-3011

COMPACT FULLY DIGITAL MINILAB



FULLY DIGITAL  
FULLY DIGITAL  
FULLY DIGITAL  
FULLY DIGITAL  
FULLY DIGITAL  
FULLY DIGITAL  
FULLY DIGITAL  
FULLY DIGITAL  
FULLY DIGITAL  
FULLY DIGITAL  
FULLY DIGITAL  
FULLY DIGITAL  
FULLY DIGITAL  
FULLY DIGITAL  
FULLY DIGITAL



**NORITSU**

# QSS-3011 DIGITAL

This exciting new compact digital minilab comes equipped with a compact printer-processor and a high speed, detached film scanner, that provides digital processing of image data from multiple sources with surprising ease of operation.

## COMPACT



The QSS-3011 Digital consists of a compact printer-processor with a detached film scanner, but utilizes a footprint of just fifteen square feet. The space saving design makes installation easy.

**15** sq. ft. foot print

approximately  
**1,160** prints/hour

\*Indicates processing capacity with index prints.

## HIGH CAPACITY

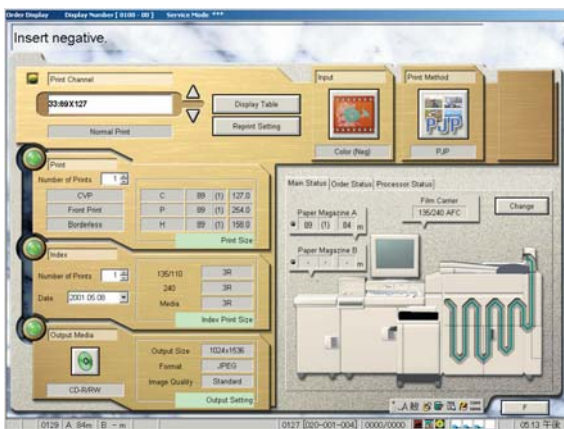
The QSS-3011 Digital outperforms its compact size. No need to sacrifice processing speed for a compact design with fully digital operations. With the ability to process approximately 1,160\* prints/hour (3.5"x5"), the QSS-3011 Digital outperforms other similarly sized digital minilabs.

## DIGITAL PROCESSING

Because the QSS-3011 Minilab converts all scanned images into digital data, a wide range of correction measures can be applied to significantly improve contrast, sharpness and red-eye, as well as to minimize problems with exposure, backlighting, and flash photography. Negatives with dust and scratches can be automatically detected and corrected when the standard Digital ICE™ feature is employed.

## HIGH QUALITY LASER EXPOSURE SYSTEM

The QSS-3011 Digital is equipped with a newly developed laser exposure system that utilizes Noritsu's unique multi-paper matching technology. This enables high quality prints of 320dpi to be printed on both analog and digital paper.

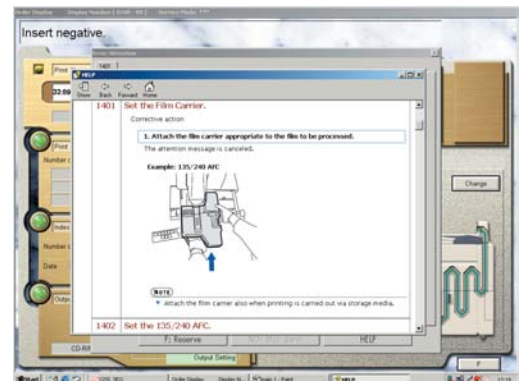


## SIMPLE USER INTERFACE

Our easy-to-understand graphic user interface simplifies the printing process so that even operators with limited experience are able to produce a wide range of prints. Icons representing the actual input/output media are displayed on the screen of the QSS-3011 Digital allowing you to check the progress of your orders by simply glancing at the main menu.

## EASY MAINTENANCE & BUILT-IN MANUAL

The QSS-3011 Digital reduces the time required for daily setup. Convenient features such as automatic water replenishment and automatic washing of the turn racks, reduce the operators workload. In addition, the QSS-3011 Digital features an electronic operators manual which makes for simple diagnosis when a system error occurs. Simply press the "Help" button and the QSS-3011 Digital responds with easy to understand instructions on how to deal with the specific error.



# HIGH CAPACITY, COMPACT MINILAB THAT PROVIDES FULLY DIGITAL OPERATIONS

## MULTIPLE ALTERNATIVES FOR INPUT/OUTPUT

The QSS-3011 Digital supports an impressive array of input/output media and services.



## STANDARD

### DIGITAL ICE™ AUTOMATICALLY CORRECTS DUST AND SCRATCHES ON FILM

Digital ICE™ technology discovers surface dust, fingerprints, and scratches on film and automatically corrects it during the scanning process. This reduces makeover work, and also proves to be a very beneficial feature for positives and enlargements.



- There are some instances when Digital ICE™ cannot make a satisfactory correction, if the extent of the dust or scratches is too great.
- It cannot correct Black and White film.
- When scanning Kodachrome film, the use of Digital ICE™ is not recommended as it may not be sufficiently effective, especially when correcting areas that are dark or have dense colors. There are also some cases where the quality of the scanned images may even deteriorate.

### 135/240 AUTO FILM CARRIER



The QSS-3011 Digital has an automatic film carrier that takes both 135 and IX240 film. Changing lanes is taken care of simply by moving a lever, making the scanning process easier and more efficient.

### KODAK DLS SOFTWARE OPTION

The QSS-3011 Digital is capable of accommodating the Kodak Digital Lab System software. Therefore, it is quickly and easily converted into a QSS-3011DLS minilab.

The capabilities of KODAK DLS software maximizes the QSS-3011DLS's digital processing performance by allowing for a wide range of image improvements, such as tone-scale correction for enhanced detail in shadows and highlights, improved sharpness, correction for prints up to three stops underexposed, red-eye removal, and corrections for severe high contrast and backlighting conditions.



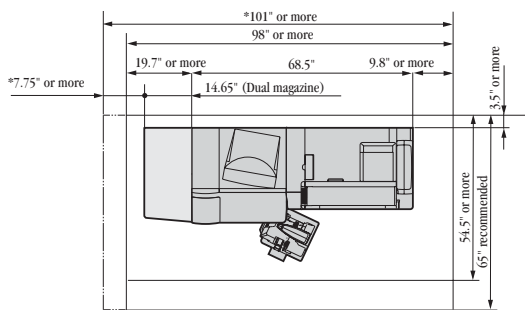
# QSS-3011 SPECIFICATIONS

QSS-3011 SPECIFICATIONS	
EXPOSURE SYSTEM:	LASER EXPOSURE BY PAPER MOVEMENT
FILM SCANNER:	HALOGEN LAMP (15V, 150W)
FILM FORMATS:	110, 135E, 135H, 135P, 135HD, IX240 (C.H.P.), 120
COMPATIBLE INPUT MEDIA:	STANDARD: FD, CD-R/W, PC CARD, COMPACT FLASH, SMART MEDIA, ZIP OPTIONAL: MO, 35MM MOUNTED SLIDES, ZIP
COMPATIBLE OUTPUT MEDIA:	STANDARD: FD, CD-R/W, PC CARD, COMPACT FLASH, SMART MEDIA, ZIP OPTIONAL: MO, ZIP
PRINT RESOLUTION:	320DPI
DIMENSIONS:	L: 68.5" (83" WITH OPTIONAL MAGAZINE) W: 29.7" H: 53.5"
OPERATIONAL WEIGHT:	1,298 LBS.
TEMPERATURE:	64-86 DEGREES FAHRENHEIT
RELATIVE HUMIDITY:	30-75%
POWER REQUIREMENTS:	1ø-2W, AC 200-240V, 50/60HZ, 24-26A
DRY TO DRY TIME:	3 MIN. / 48 SEC.
PROCESSING SPEED:	657/MIN
PAPER SUPPLY:	STANDARD: SINGLE PAPER MAGAZINE OPTION: DUAL PAPER MAGAZINE
PAPER WIDTH:	3.25", 3.5", 4", 4.5", 4.6", 4.75", 5", 5.11", 6", 6.5", 7", 8", 8.25"
PAPER FEED LENGTH:	14" MAX. / 4.6" MIN.
PAPER ROLL LENGTH:	575 FEET
MAXIMUM PRINT SIZE:	8" x 14"
DISPLAY MONITOR:	17" COLOR (VIEWING ANGLE IS ADJUSTABLE)

ESTIMATED PROCESSING CAPACITY		
	PRINT SIZE WIDTH X PAPER ADVANCE LENGTH	PROCESSING CAPACITY* PRINTS/HR
135 NEGATIVE FILM (24 EXP.)	3.5" x 5"	APPROX. 1,160
	4" x 6"	APPROX. 1,000
	8" x 10"	APPROX. 361
	8" x 14"	APPROX. 264
IX240 NEGATIVE FILM (25 EXP.)	3.5" PAPER WIDTH (C.H.P. INTERMIXED)	982
DIGITAL CAMERA (2.5 MILLION PIXELS)	3.5" x 5"	580

\*THE ACTUAL CAPACITY YOU ACHIEVE MAY BE DIFFERENT. THE CAPACITY OF THE MACHINE VARIES WITH THE PROCESS CHEMICALS USED, THE CONDITION OF THE NEGATIVES PRINTED, ETC.

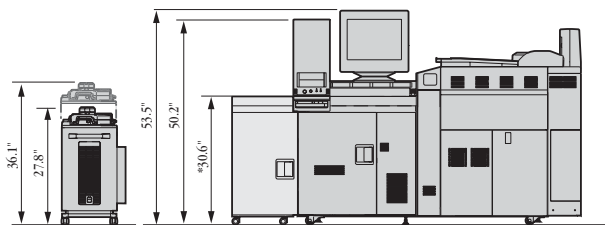
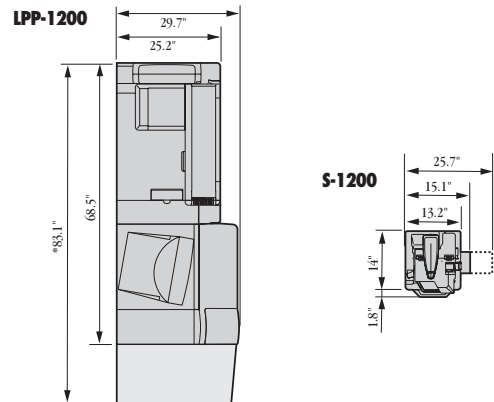
### Space Required for installation (unit:inches)



\* VALUES ARE USED WHEN PAPER SUPPLY UNIT HAS BEEN INSTALLED

## QSS-3011 DIAGRAMS

External view (unit:inches)



Specifications subject to change without notice. Printer-Paper Processor capacities are based on continuous printing of a negative under normal exposure. The capacity of the machine varies with the process chemicals used, the condition of the negatives, etc. QSS is a registered trademark of Noritsu America Corporation. QSS, INDEXPRINT® are registered trademarks of Noritsu. Digital ICE™ is a registered trademark of Applied Science Fiction.

• Noritsu America Corporation: 6900 Noritsu Avenue, Buena Park, California 90620-1372 (714) 521-9040 • Western Regional Office: 6950 Noritsu Avenue, Buena Park, California 90620-1311 (714) 521-9040 • Eastern Regional Office: 336 Route 46 East, Fairfield, New Jersey 07004-2429 (973) 808-9898 • Midwest Regional Office: 755 Tollgate Road, Elgin, Illinois 60123-9301 (847) 888-8000 • Southern Regional Office: 2989 North Stemmons Freeway, Dallas, Texas 75247-6193 (214) 631-2400 • Government Sales Office: 8000 Towers Crescent Drive, Suite 1350, Tysons Corner, Virginia 22182-2700 (703) 821-0007 • Subsidiary: Noritsu Canada Ltd.: 2680 Argenta Road, Mississauga, Ontario, Canada, L5N 5V4 (905) 567-8982 • Subsidiary: Noritsu de México S.A. de C.V.: Plaza Mayorazgo de Luyando No. 7, Col. Xoco, Delegación Benito Juárez, C.P. 03330 México, D.F. (52) 5-601-0429



www.noritsu.com

NORITSU